



- Sound Output: 106dB(A) (DC), 102dB(A) (AC)
- Light Output: LED
- 32 Tone
- IP Rating: 21 (shallow base)  
65 (deep base)
- Available LED Colours: Amber Red
- Available Voltages: 24Vdc  
110Vac 230Vac

<b>Max sound output</b>	106dB max DC version 102dB max AC version
<b>Alarm tones</b>	32
<b>Light source</b>	High efficiency LED beacon
<b>IP rating</b>	21 (shallow base) 65 (deep base)
<b>Volume control</b>	8dB - DC Version 20dB - AC Version
<b>Cable entry</b>	Cut-outs (shallow base) 2 x 20mm glands (deep base)
<b>Operating temp.</b>	-25°C to +70°C (DC) -25°C to +55°C (AC)
<b>Unit material</b>	Polycarbonate
<b>Lens colour</b>	Amber, Red
<b>Body colour</b>	Red, White (DC only)
<b>Base options</b>	Shallow (DC only) Deep (AC & DC versions)
<b>Unit weight</b>	0.22 (shallow base) 0.25 Kg (deep base)

<b>Voltage options</b>	<b>Voltage tolerance</b>	<b>Current</b>
24 Vdc	17 to 60 Vdc	9 to 50mA
110 Vac	+/- 10%	80mA
230 Vac	+/- 10%	80mA

**Approvals:**  
**(specify required approval when ordering)**

EN54-3 compliant.

EMC certified.

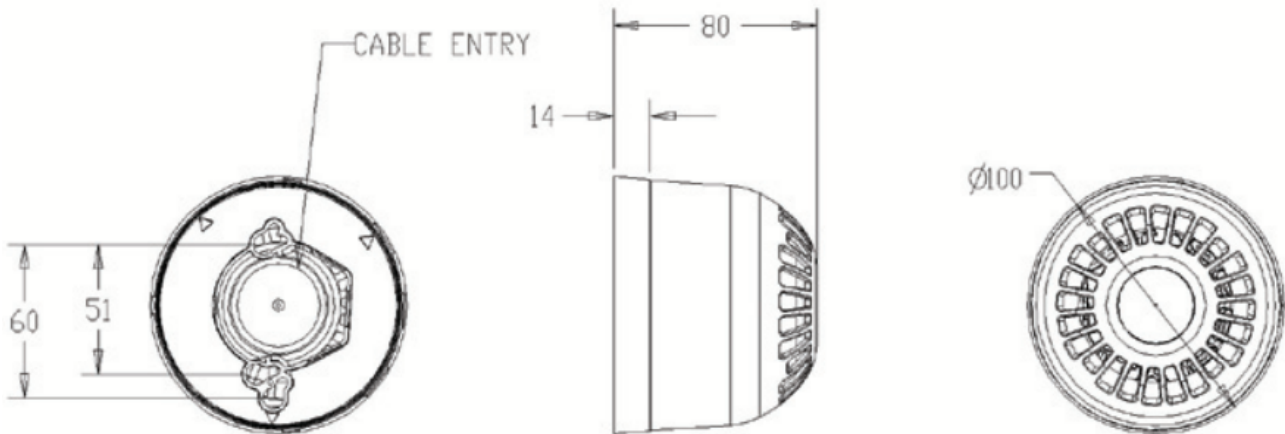
CPD certified. DC version only

LPBC certified. DC version only

VdS certified. DC version only

NF certified. DC version only

Shallow Base



Deep Base

